

INSTALLATION INSTRUCTIONS FOR INSTALLING AN OVERFLOW SWITCH ASSEMBLY REPLACEMENT KIT OR OVERFLOW TUBE/BRACKET REPLACEMENT KIT IN A NATIONAL VENDORS[®], CROWN SEVENTY TWO[®], HBM-614 OR HBM-618 HOT BEVERAGE MERCHANDISER

CHECK THE PARTS RECEIVED IN THE KIT WITH THE PARTS LIST IN THESE INSTRUCTIONS. FIGURE 1 SHOWS ALL THE PARTS IN THE KIT. IF ANY PARTS ARE MISSING, CONTACT NATIONAL VENDORS' PARTS DEPARTMENT IMMEDIATELY.

These Instructions apply to two Kits for installing an Overflow Switch Assembly Replacement Kit or Overflow Tube/Bracket Replacement Kit in a Crown Seventy Two HBM-614 or HBM-618 Hot Beverage Merchandiser.

After installing either Kit, the Overflow Tube will drain on the Sanitation Tray instead of directly in the Drain Bucket.

Read these instructions carefully and thoroughly before installing the Kit. Retain these instructions for part number and installation information.

Kit Part Number 613-1208, contains the following parts:

Part Number	Description	Quantity
310-4124	No.8-32 x 5/8 PHS Stainless Screw	1
310-6156	Cable Clamp	1
618-8015	.62 O.D. x .44 I.D. x 34.50 Tube	1
613-1207	Installation Instruction	1

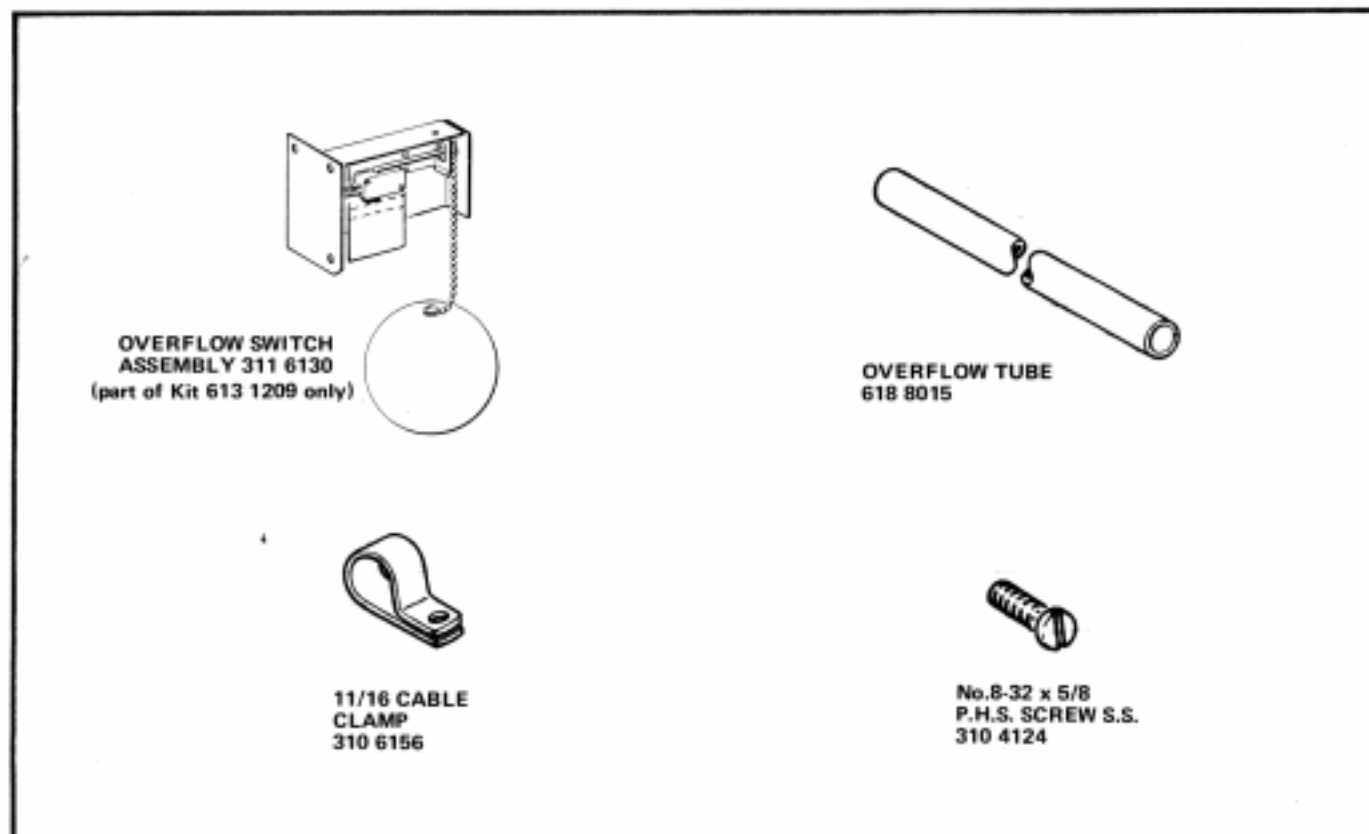


FIGURE 1

Kit Part Number 613-1209, contains the following parts:

Part Number	Description	Quantity
613-1208	Overflow Tube/Bracket	
618-8015	Replacement Kit consists of: .62 O.D. x .44 I.D. x 34.50 Tube	1
310-6156	Cable Clamp	1
310-4124	No.8-32 x 5/8 PHS Stainless Screw	1
613-1207	Installation Instruction	1
311-6130	Overflow Switch Assembly	1

A. PARTS REMOVAL

1. Unlock and open the Cabinet Door.
2. Move the Main Switch in the Merchandiser to the OFF position.

WARNING

Even though the power to the Merchandiser is shut off, hot water can still overflow and drain from the Overflow Tube. To avoid being burned, be very careful when disconnecting the working around the Overflow Tube.

3. Disconnect the Overflow Tube from the "Y" Connector. See Figure 2.
4. Remove the other end of the Overflow Tube from the Overflow Switch Assembly.
5. Remove the Overflow Tube from the Merchandiser. Some Merchandisers have a Cable Clamp attached to the Water Tank Jacket from which the Overflow Tube must be removed.

NOTE

Steps 6 thru 8 apply only if installing Kit, Part Number 613-1209.

6. Remove the three Screws attaching the Overflow Switch Assembly to the Merchandiser. Retain the Screws for installation of the replacement Overflow Switch Assembly. See Figure 3.
7. Remove and retain two Screws and the Overflow Switch Cover from the Overflow Switch Assembly.
8. Disconnect the Overflow Switch Harness from the Overflow Switch and remove the Overflow Switch Assembly from the Merchandiser.

B. INSTALLATION OF THE KIT

NOTE

Step 1 applies only to HBM-614 Merchandisers.

1. On HBM-614 Merchandisers only, cut the replacement Overflow Tube, Part Number 618-8015, included in the Kit, to a 28 1/2 inch length.
2. Attach the replacement Overflow Tube to the "Y" Connector. See Figure 4.
3. If Merchandiser has a Cable Clamp attach to the Water Tank Jacket, route the Overflow Tube through that Cable Clamp.
4. Remove the No.8-32 x 5/8 Pan Head Stainless Screw from the middle left side of the Right Splash Panel.
5. Attach the Cable Clamp, Part Number 310-6156, included in the Kit, to the Right Splash Panel using the No.8-32 x 5/8 Pan Head Stainless Screw, Part Number 310-4124, also included in the Kit. Position the Cable Clamp as shown in Figure 4.

NOTE

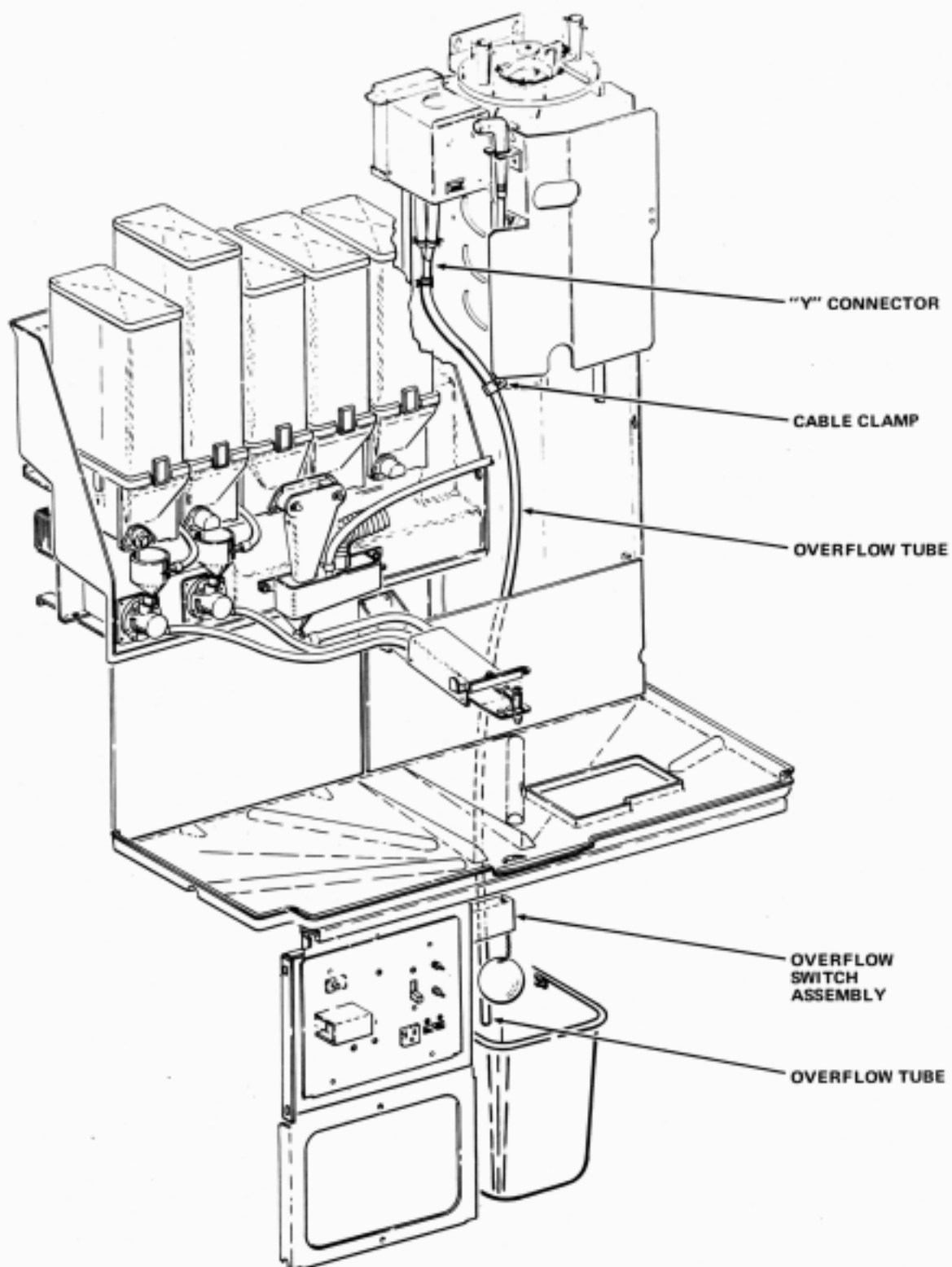
Step 6 applies only to HBM-614 Merchandisers.

6. Route the Overflow Tube behind the Brewer Mechanism, under the Dry Ingredients Shelf, over the left side of the Right Splash Panel, and onto the Sanitation Tray.
7. Feed the Overflow Tube through the Cable Clamp installed in Step B-5. The water from the Overflow Tube will now drain in the middle of the Sanitation Tray.

NOTE

Steps 8 thru 10 apply only if installing Kit, Part Number 613-1209.

8. Connect the Overflow Switch Harness in the Merchandiser to the Overflow Switch on the Overflow Switch Assembly, Part Number 311-6130, included in the Kit. See Figure 3.
9. Attach the Overflow Switch Cover, removed in Step A-7, to the replacement Overflow Switch Assembly by using the two Screws removed in Step A-7. Be sure to bend the Insulation around the Overflow Switch.
10. Attach the replacement Overflow Switch Assembly to the Divider Base Wall using the three Screws removed in Step A-6. See Figure 3.
11. Move the Main Switch in the Merchandiser to the ON position.



NOTE: MANY PARTS OF THE MERCHANDISER ARE NOT SHOWN FOR CLARITY.

FIGURE 2

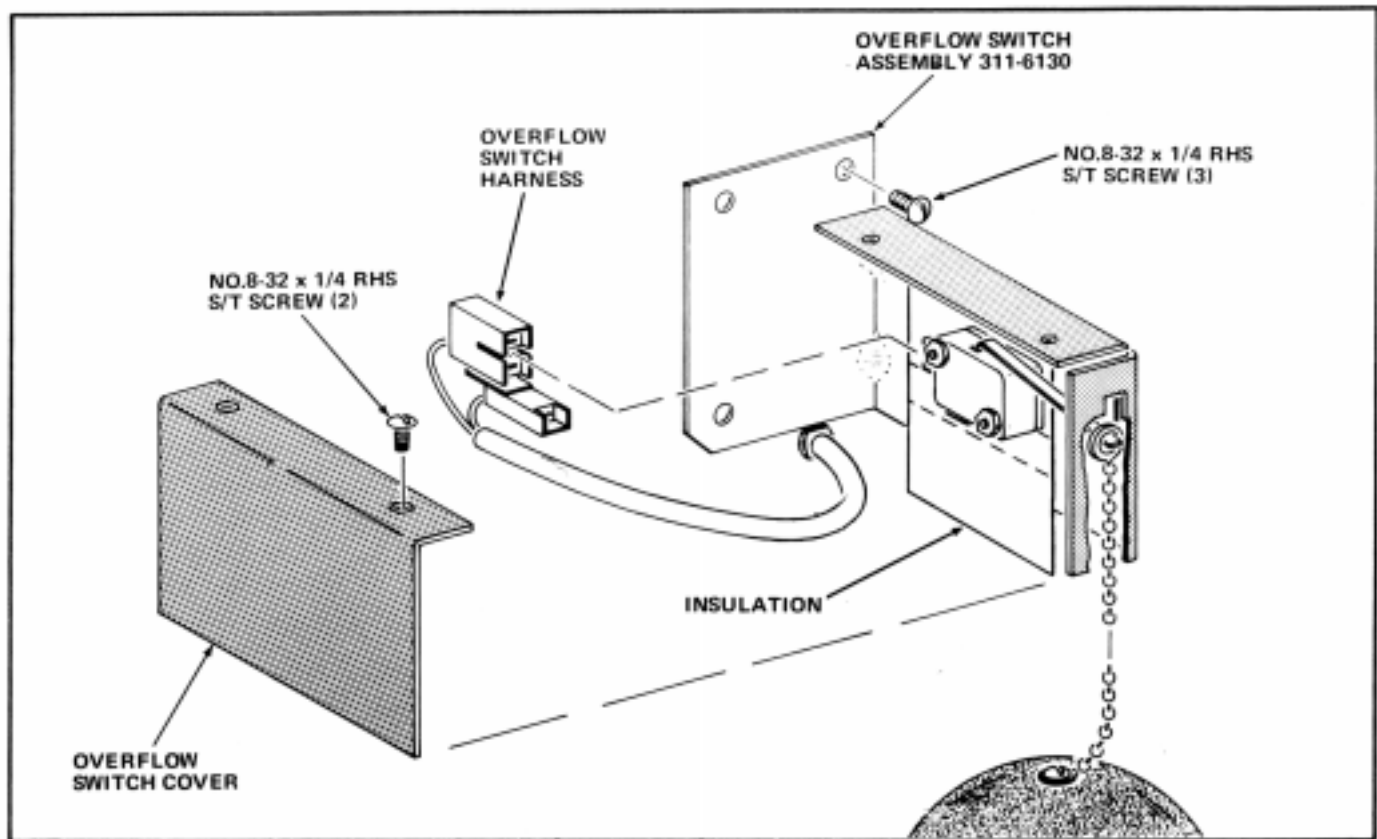
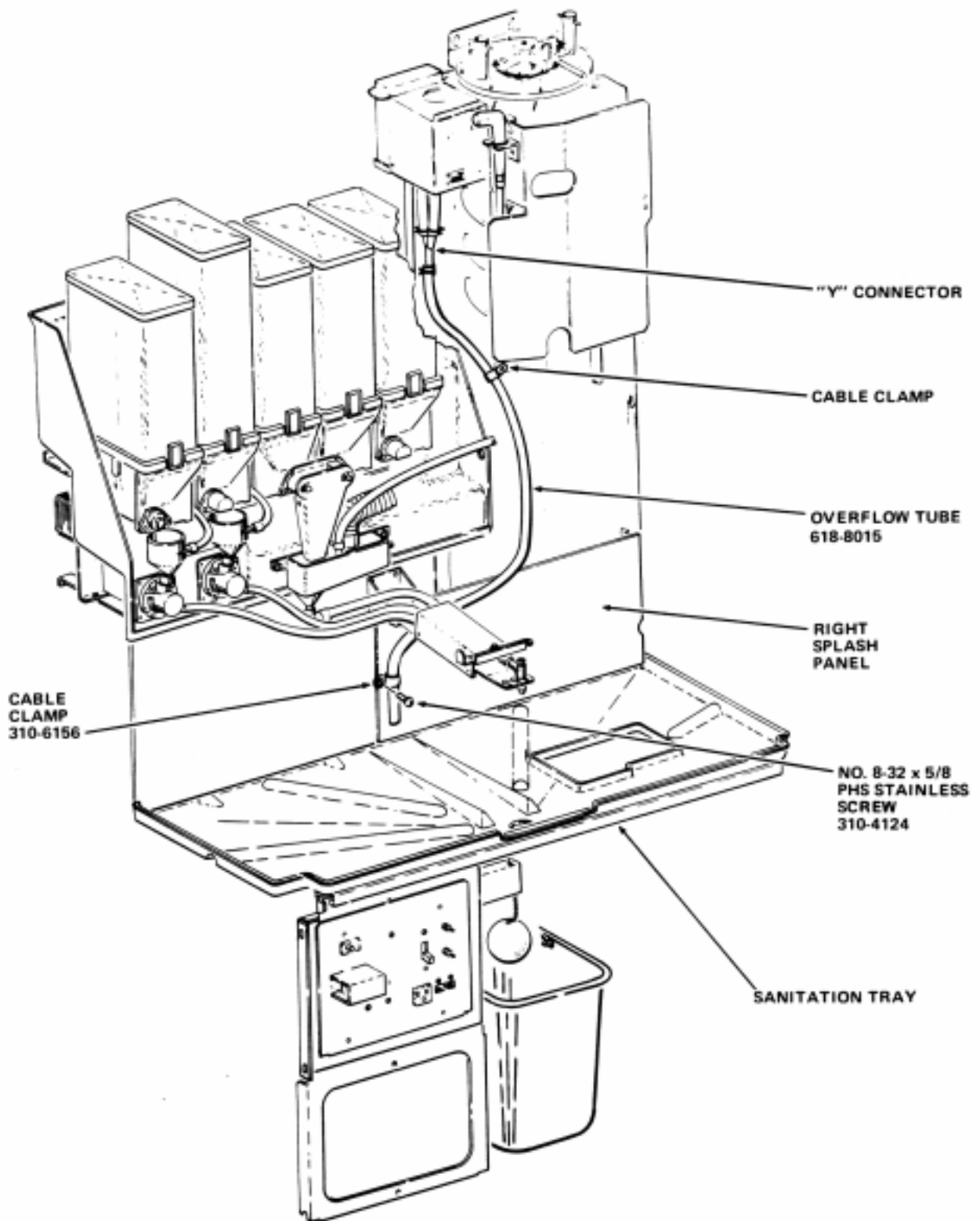


FIGURE 3

CAUTION

Be sure the Float on the Overflow Switch Assembly is hanging in the Drain Bucket.

12. Test the Overflow Switch Assembly to make sure it shuts off the Merchandiser when the Float is raised.
13. Close and lock the Cabinet Door.



NOTE: MANY PARTS OF THE MERCHANDISER ARE NOT SHOWN FOR CLARITY.

FIGURE 4